

PDF

2D



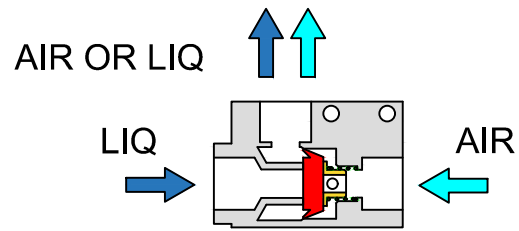
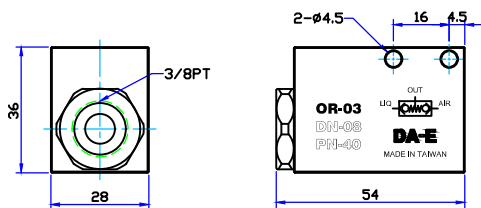
DA-E

PNEUMATIC HYDRAULIC CO.,LTC

OR 氣液或閘

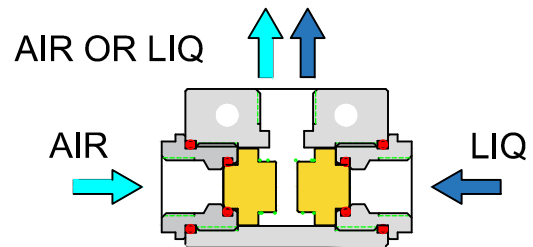
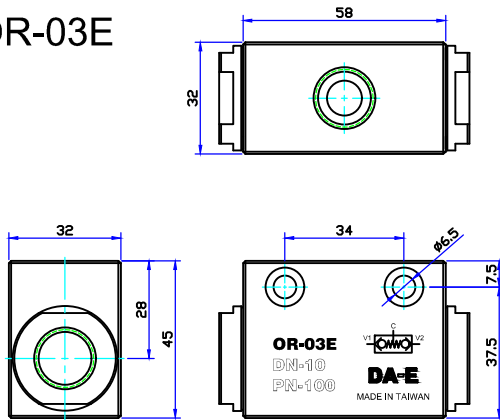
gas-liquid or door

OR-03



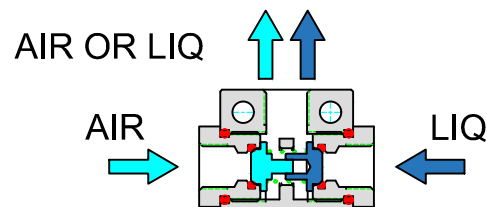
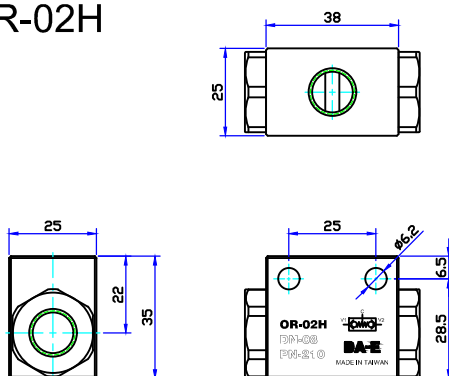
Orifice size 8 mm
 Pressure range 1 to 40 bar
 Media temperature -10 to 60 °C

OR-03E



Orifice size 10 mm
 Pressure range 1 to 100 bar
 Media temperature -10 to 60 °C

OR-02H



Orifice size 8 mm
 Pressure range 1 to 210 bar
 Media temperature -10 to 60 °C