

Accessories for pneumatic stroke and rotary actuators



- Complete modular designed accessory program
- More for less - optimal configuration costs
- Easy maintenance and commissioning
- Increase system and operational safety

Type 2XXX can be combined with...



Type 2000

Angle-seat valve

Type 2002

Compact angle-seat valve

Type 2030

Plastic diaphragm valve

Type 2031

Diaphragm valve

Type 2012

Globe valve

The modular designed accessory option package is the comprehensive addition to the Bürkert process valves with pneumatic, linear or quarter-turn actuator (Types 2000, 2002, 2012, 2030, 2031, 2031K, 2050, 2652, 2655, 2658, 2672, 2675). The flexible, easily accessible concept of modular accessories has been designed to cover individual application requirements in a cost-effective way.

The design has been optimized for easy installation (retro-fitting), commissioning and operation.

Technical data

Type 1062 Electrical position feedback (Actuator Ø 40-125)	Mechanical limit switches Inductive limit switches in 3 wire technology Inductive limit switches acc. to DIN 19234 (NAMUR), EExi LED display
Type 8631 Electrical position feedback (Actuator Ø 80-225)	Mechanical limit switches Inductive limit switches
Type 1060 Position feedback (Actuator Ø 50-225)	Change-over contact
Adapters for proximity switches	Adapter for proximity switches M12 x 1 (fastening angle) Adapter for proximity switches (Nipple with thread M12x1)
Type 1071 External magnet inductive position feedback (Actuator Ø 50-125)	PNP
Stroke limitation (Actuator Ø 50-225)	Max. upper stroke limitation, without optical position indicator Max. and Min. stroke limitation, with optical position indicator
Manual override (Actuator Ø 50-125)	With visual position indication for valve operation when pressure drops
NAMUR-Adapter (Actuator Ø 50-125)	Adapter plate with screw connection for pilot valve

Type 1062, electrical position feedback



The electrical position feedback, Type 1062 indicates the status of the valve's position (off/on) of process valves with pneumatic stroke or rotary drive of the series 20XX and 26XX. The position of the valve is indicated by LEDs

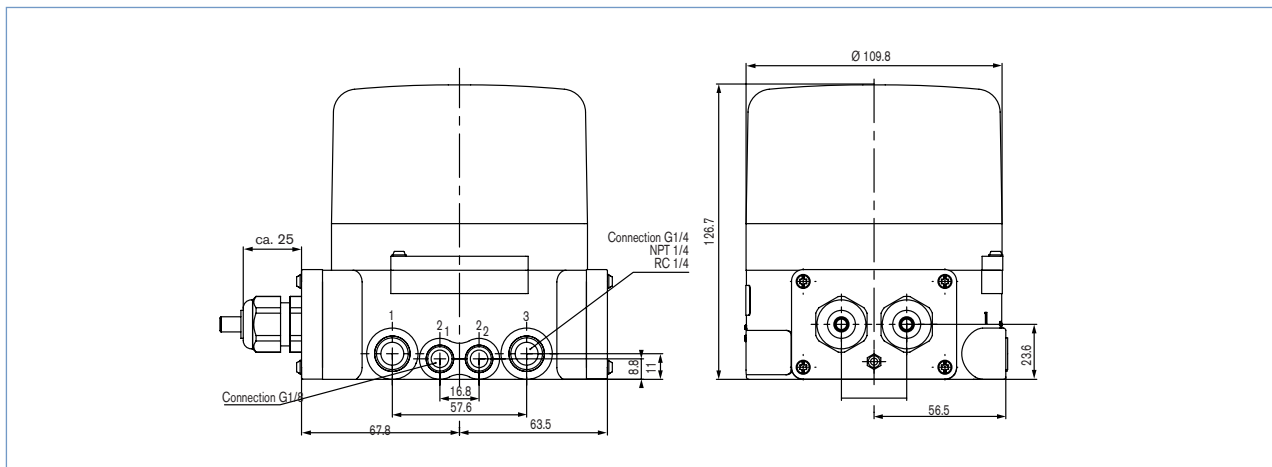
Technical data	
Material	
Body	Polyamide
Cover	Polycarbonate
Ambient temperature	0 to +60 °C
LED-display	
green	Valve opened
red	Valve closed
yellow	Operating voltage
Electrical connection	
external	PG11 cable gland
internal	Screw terminals Ø up to 1.5 mm ²
Protection class	IP65
Approval	Limit switches acc. to VDE, IEC, UL, CSA, inductive limit switches. Limit switches in EExi (intrinsically safe) acc. to II 2 GD EEx ia II C On request: Limit switches acc. to EEx II 3 G/D T4
Mounting	On piston actuator with Ø 40-125 mm
Installation	As required
Mechanical switch	
Version	Change-over contact
Operating voltage	12-24 V AC/DC 110-250 V AC/DC on request 48-110 V AC/DC
Load current	see table
Inductive limit switch with 3-wire technology	
Version	normally open contact (PNP)
Operating voltage	10-30 V DC
Power consumption	≤ 25 mA
Acceptable current load	≤ 200 mA
Output resistance	4.7 kΩ
Inductive limit switch acc. to DIN 19234 (NAMUR), EExi	
Operating voltage	8 V DC
Power consumption	
damped	≤ 1 mA
undamped	≤ 3 mA
Note	Isolating barrier must be used

Type 8631, electrical position feedback (for actuator size 80 - 225mm)



Technical data	
Material	
Body	PPE/PA
Cover	PSU (transparent)
Device variants	For single and double actuated actuators
Ambient temperature	-10 to +50 °C
Electrical connection	M16 x 1.5 bushing by means of screw clamps
Protection class	IP65 acc. to EN 60529
Mounting	On piston actuator with Ø 80 - 225mm
Installation	As required
Operating voltage	
Mechanical limit switches	max. 230 V AC / max. 1 A
Inductive limit switches	8...30 V DC / max. 100 mA
Position feedback	
24 V version	inductive limit switch (proximity switch), position feedback via binary outputs (NO)
24 V or 230 V version	mechanical limit switch, position feedback via binary outputs (NO or NC)
Option for communication circuit	ASI (AS interface) Device Net
Further options	NAMUR Limit switches acc. to II 2G EEx ia IIC (ATEX); Limit switches acc. to II 3G/D EEx T4 (on request)

Dimensions [mm]



Ordering chart (other versions on request)

Type of feedback	Switches	Electric connection	Communication	II 2G EEx ia IIC	Item no.
inductive	1	Cable connection	-	-	154 354
inductive	2	Cable connection	-	-	154 353
mechanical	1	Cable connection	-	-	169 187
mechanical	2	Cable connection	-	-	146 643
inductive	2	Multipol M12	ASI	-	146 642
inductive NAMUR	1	Cable connection	-	with	169 579
Adapterset for actuator 80mm					648 755
Adapterset for actuator 100mm					648 756
Adapterset for actuator 125mm					648 757
Adapterset for actuator 175 and 225mm					655 596

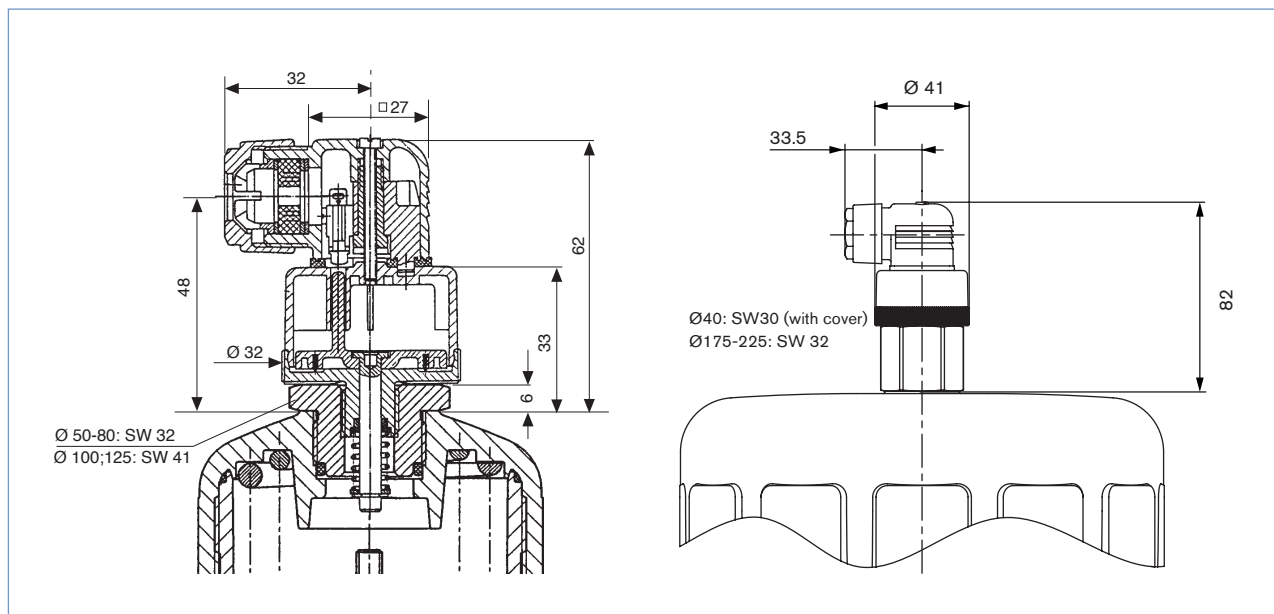
Type 1060, electrical position feedback



Technical data	
Material	plastic
Electrical connection	solder connections, cable entry sealed by gland with cable grip to suit cable Ø 5-9 mm
Protection class category	IP65
Max. continuous temperature	+125 °C
Micro switch	change-over contact
Contact rating	Max. 250 V AC Max. 250 V DC
Installation	screwed in instead of the visual position indicator

The electrical position feedback is screwed in, instead of the visual position indicator. While the valve is opening, the piston of the actuator lifts a palm-button. This button actuates a micro switch with change-over contact, which gives the electrical feedback of the valve position. The palm-button also acts as an optical position indicator.

Dimensions [mm]

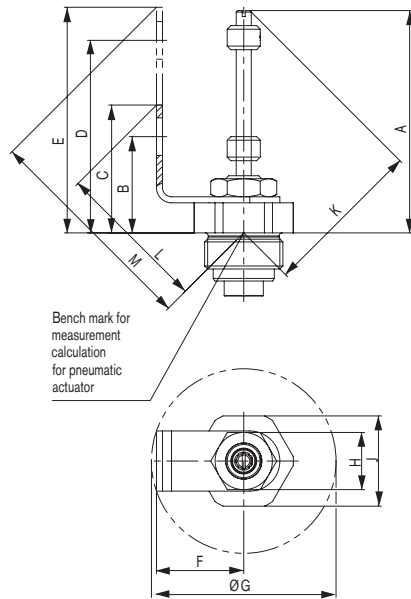


Ordering chart

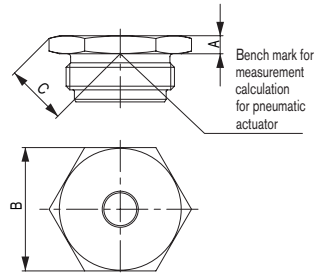
Actuator size Ø	Item no.
40 (Seat valve)	158 244
40 (Diaphragm valve)	158 220
50-80	701 515
100, 125	701 516
175, 225	655 696

Adapters for proximity switches

Adapter for proximity switches M12x1 (fastening angle)



Adapter for proximity switch (nipple with M12x1 thread)



Actuator size (Ø)	A	B	C	Item no.
40	25	A/F30	29.5	on request
50, 63, 80	6	A/F32	17	648 152
100, 125	6	A/F41	21	649 257
175, 225	28.5	A/F32	33	669 773

Sensor	Actuator size (Ø)	A	B	C	D	E	F	Ø G	H	J	K	L	M	Item no.
single	50, 63, 80	65.5	32	42.5	-	-	29	61.5	A/F19	A/F30	48	51	-	649 381
single	100, 125	80.5	35	45.5	-	-	29	61.5	A/F19	A/F30	49	53	-	649 382
double	50, 63, 80	80.5	28	-	74	85	24	52	A/F19	A/F30	59	-	78	667 988
double	100, 125	95.5	31	-	77	88	24	52	A/F19	A/F30	69	-	80	667 989
double	175, 225	145	68	-	136	147	24	52	A/F19	A/F30	104	-	121	669 810

Type 1071, external magnetic inductive position feedback

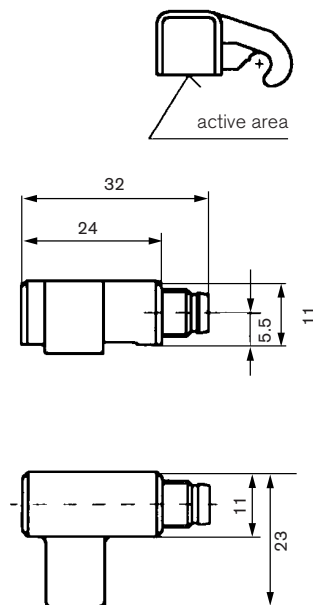


The magnetic-inductive sensors react to the approach of the magnetic piston of the series 2XXX piston operated seat or diaphragm valves. Thus, the piston position can be optically and electrically displayed with an LED. In addition it permits the use of a stroke limiter or manual override.

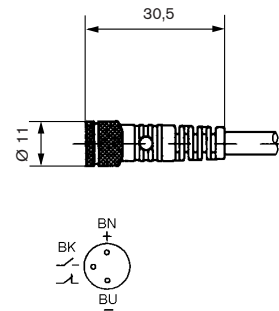
Technical data	
Material	sensor body fixing bracket
	PBTP (GF-reinforced) Pressure casting, stainless steel
Ambient temperature	-20 to +70 °C
Electrical connection	Plug connection or cable (3m long)
Protection class	IP67
Mounting	by means of fixing brackets at piston actuator (see drawing)
Version	PNP
Operating voltage	10...30 V DC
Power consumption	damped undamped
	≤ 12 mA ≤ 10 mA
Nominal field strength	$ H_n = 1.2 \text{ kA/m}$
Working field strength	$ H_a \geq \text{kA/m}$
Hysteresis	≤ 45 % of H_n
Temperature drift of switch-on point	≤ 0.3 %/°C
Ripple	≤ 15 %
Acceptable current load	Max. 200 mA
Acceptable capacitive load	≤ 1 μF
Voltage drop U_d	≤ 2.5 V
Turn on time	≤ 0.5 ms
Switch-off time	20 to 50 ms
Weight	6g

Dimensions [mm]

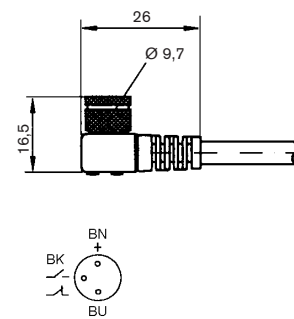
Sensor Type 1071 with plug connector, IP 67



Plug connector, straight, without LED, cable 3m



Elbow plug connector, with LED, cable 3m



Ordering charts for external magnetic inductive position feedback, Type 1071

Required individual parts: magnetic piston, fixing bracket, sensor, plug

Magnetic piston

Actuator size Ø [mm]	Item no.
50	630 063
63	630 064
80	630 065
100	630 066
125	630 067

Complete sensor bracket

Actuator size Ø	Item no.
all actuators	636 239

Fixing bracket

Material	Item no.
Stainless steel	636 241
Pressure casting	780 558

Sensor

Version	Item no.
with plug connection	780 110
with 3m cable (without LED)	780 111

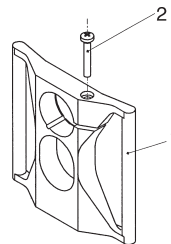
Plug

Version	Item no.
angled, with 3m cable (with LED)	780 112
straight, with 3m cable (without LED)	780 113

Mounting information

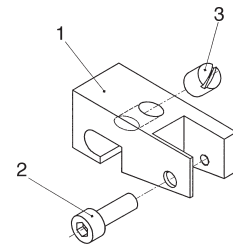
Sensor bracket

- 1 bracket
- 2 screw

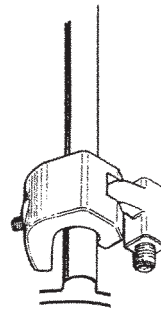


Elbow joint

- 1 elbow joint
- 2 screw
- 3 Pin



Mount sensor to elbow joint and sensor bracket



Mounting note magnetic piston

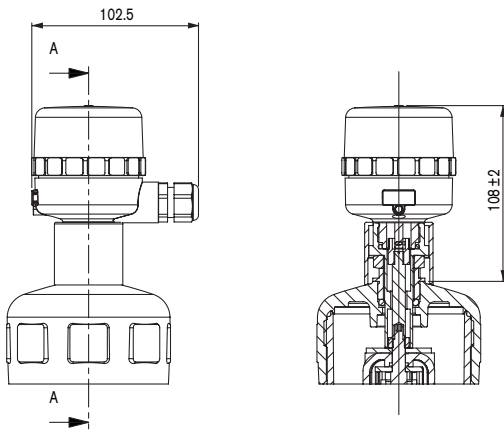
To mount the magnet piston the use of a special key is necessary to open the actuator cover. (Ordering information on page 9)

Stroke limiter (basic) for electric feedback combination, Type 1062

Dimensions [mm]

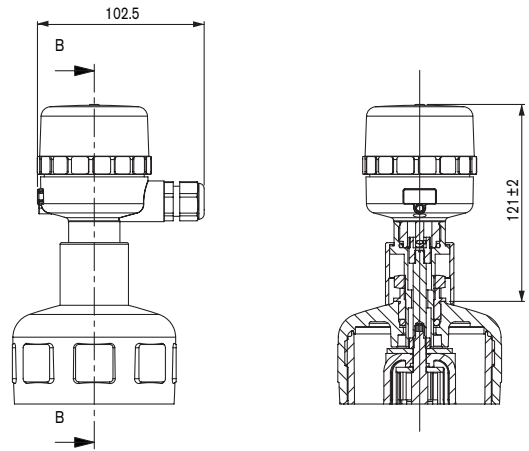
Valve closed

STROKE LIMITER for actuator, Ø50-80mm
Minimum setting of the opening (stroke = 0)



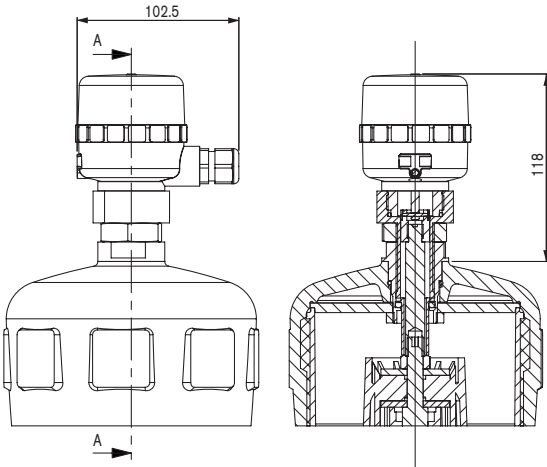
Valve open

STROKE LIMITER for actuator, Ø50-80mm
Maximum setting of the Opening (stroke = Max.)



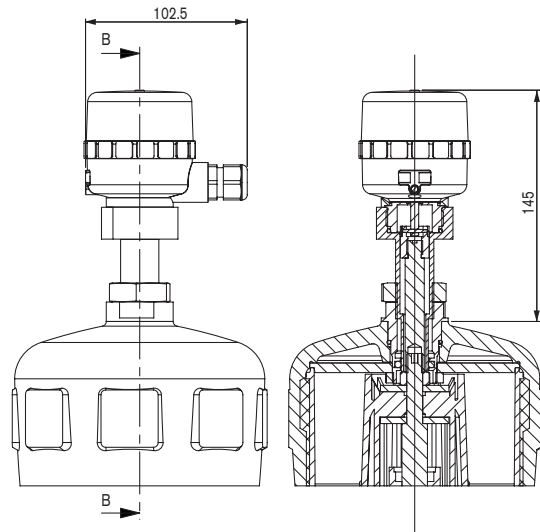
Valve closed

STROKE LIMITER for actuator Ø100 and 125mm,
Minimum setting of opening (stroke = 0)



Valve open

STROKE LIMITER for actuator Ø100 and 125mm,
Maximum setting of opening (stroke = Max.)

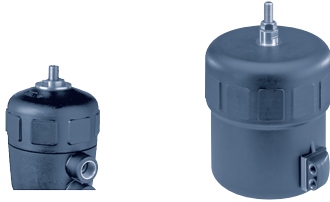


Ordering chart

for Actuator Ø (mm)	Item no.
50, 63 and 80	551 868
100 and 125	552 360

Stroke limiter for stroke actuators

Ø 50-125 [mm] Ø 175-225 [mm]



Technical data

Max. stroke limitation

Special feature	without visual position indicator (upper stroke limitation only)
Mounting	screw in stroke limiter (instead of the transparent cover for the visual position indicator)

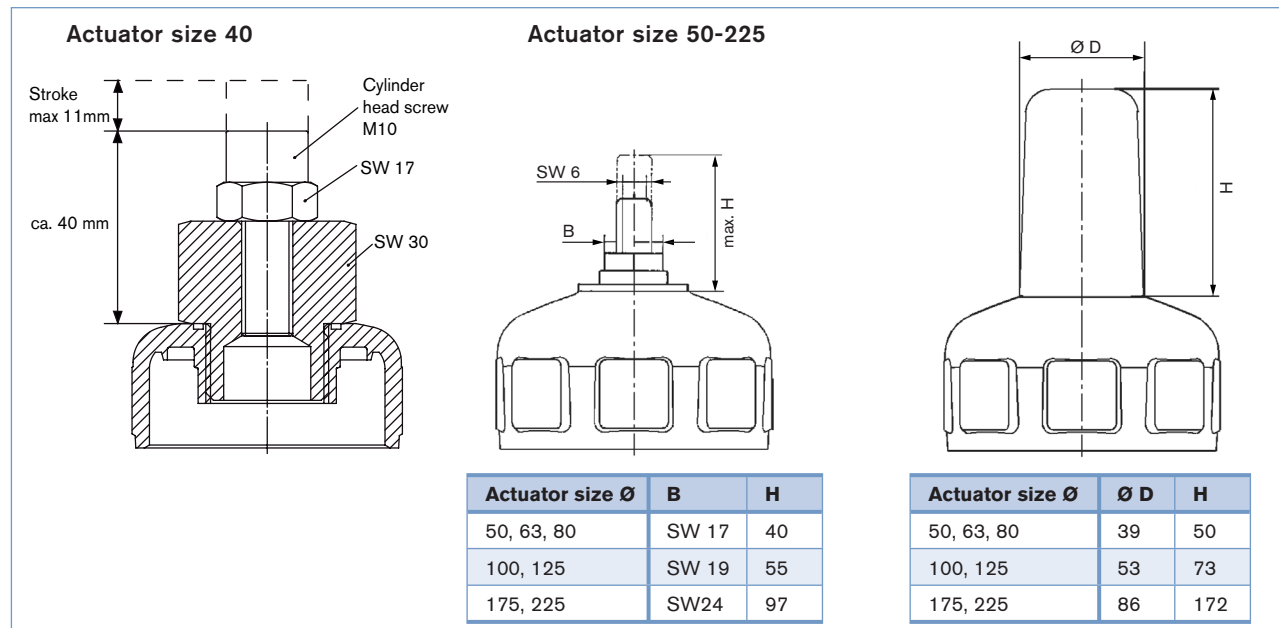
Ø 50-125 [mm] Ø 175-225 [mm]



Max./min. stroke limitation

Special feature	Max. & min. flow setting (upper and lower stroke limitation) with visual position indicator
Mounting	Actuator cover must be removed on mounting, to do this a special key is required (see page 11)

Dimensions [mm]



Ordering chart

Max. stroke limitation without visual position indicator (single version)

Actuator size Ø [mm]	Item no.
40 (incl. actuator cover)	672 114
50-80	637 866
100	637 867
125	637 868
175-225	655 600

Min./Max. stroke limitation with visual position indicator

Actuator size Ø [mm]	Item no.
50-80	636 820
100	636 821
125	640 703
175-225 (diaphragm valve)	655 631
175 (globe valve)	659 038
225 (globe valve)	659 423

Manual override for stroke actuator (with visual position indicator)



Manual override with visual position indicator for manual valves when pressure drops

Technical data	
Version	Manual opening (only for control function A, i.e. unpressurised closed)

Dimensions [mm]

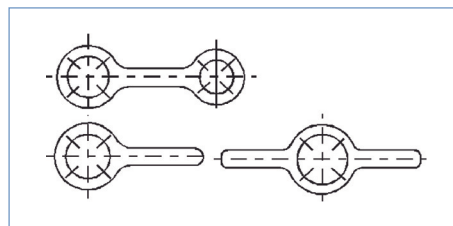
Actuator size Ø	Ø D	H
50, 63, 80	80	56
100, 125	150	70

Ordering chart (with visual position indicator)

Actuator size Ø [mm]	Item no.
50-80	636 822
100, 125	636 823

Ordering chart for mounting key (for actuator cover)

Actuator size Ø [mm]	Item no.
40 and 50	639 175
63	639 170
80	639 171
100	639 172
125	639 173

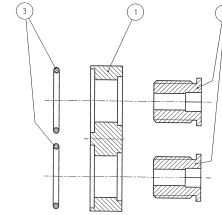


NAMUR-Adapter for pilot valve



Mounting for NAMUR-Adapter

- 1 Plate
- 2 Hollow screw
- 3 O-rings



Technical data

Material

plate and hollow screw

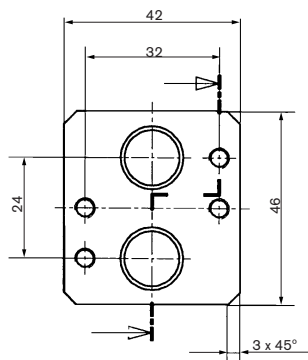
Steel 1.4021 or CuZn39 Pb3 F44

Seal

O-rings

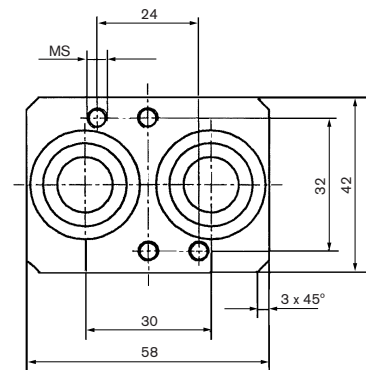
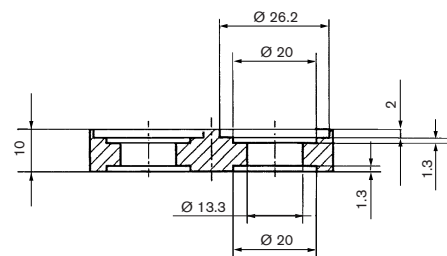
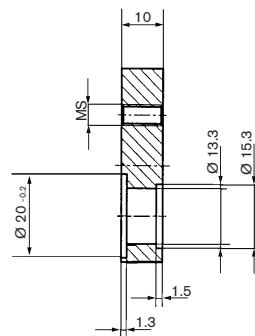
NBR 75

Dimensions [mm]



Version 1

Namur-Adapter for **stroke actuator**
 Ø 50 to 80 for angle seat and globe valve
 Ø 63 to 100 for diaphragm valve
 NAMUR adapter for **rotary actuator**
 Ø 63 on request



Version 2

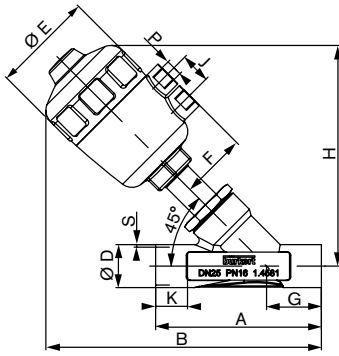
Namur-Adapter for **stroke actuator**
 Ø 100 and 125 for angle seat and globe valve
 Ø 125 for diaphragm valve
 NAMUR adapter for **rotary actuator**
 Ø 100

Ordering chart

Actuator size Ø [mm]	Material	Item no.
Version 1	Stainless steel	632 974
Version 2	Stainless steel	634 275
Version 1	Brass	637 113
Version 2	Brass	637 114

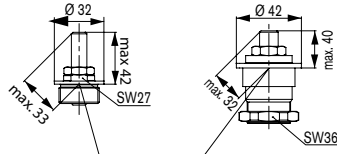
Dimensions for Type 2000

Weld end body acc. to EN ISO1127/ ISO4200 and DIN 11850 Series 2



Max. Stroke limiter (single version)

Actuator size 50, 63, 80 Actuator size 100, 125

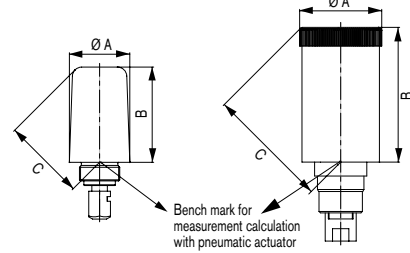


Bench mark for measurement calculation with pneumatic actuator

Min/Max. Stroke-limiter

Actuator size 50, 63, 80

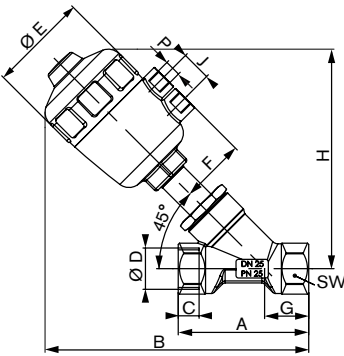
Actuator size 100, 125



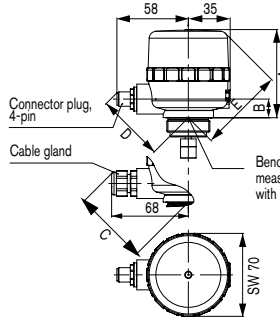
Bench mark for measurement calculation with pneumatic actuator

Actuator size	ØA	B	C
50, 63, 80	39	62	54
100, 125	53	87	80

Threaded body



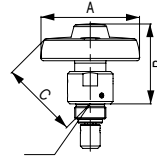
Electrical position indicator Type 1062



Bench mark for measurement calculation with pneumatic actuator

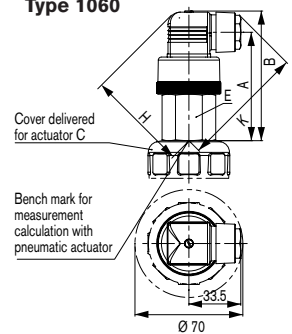
Actuator size	A	B	C	D	E
40	86	28	71	65	80
50, 63, 80	71	13	60	55	70
100, 125	74	16	62	57	72

Hand wheel



Actuator size	ØA	B	C
50, 63, 80	80	66.7	64.9
100, 125	150	83.9	96.3

Optical position indicator with electrical feedback Type 1060

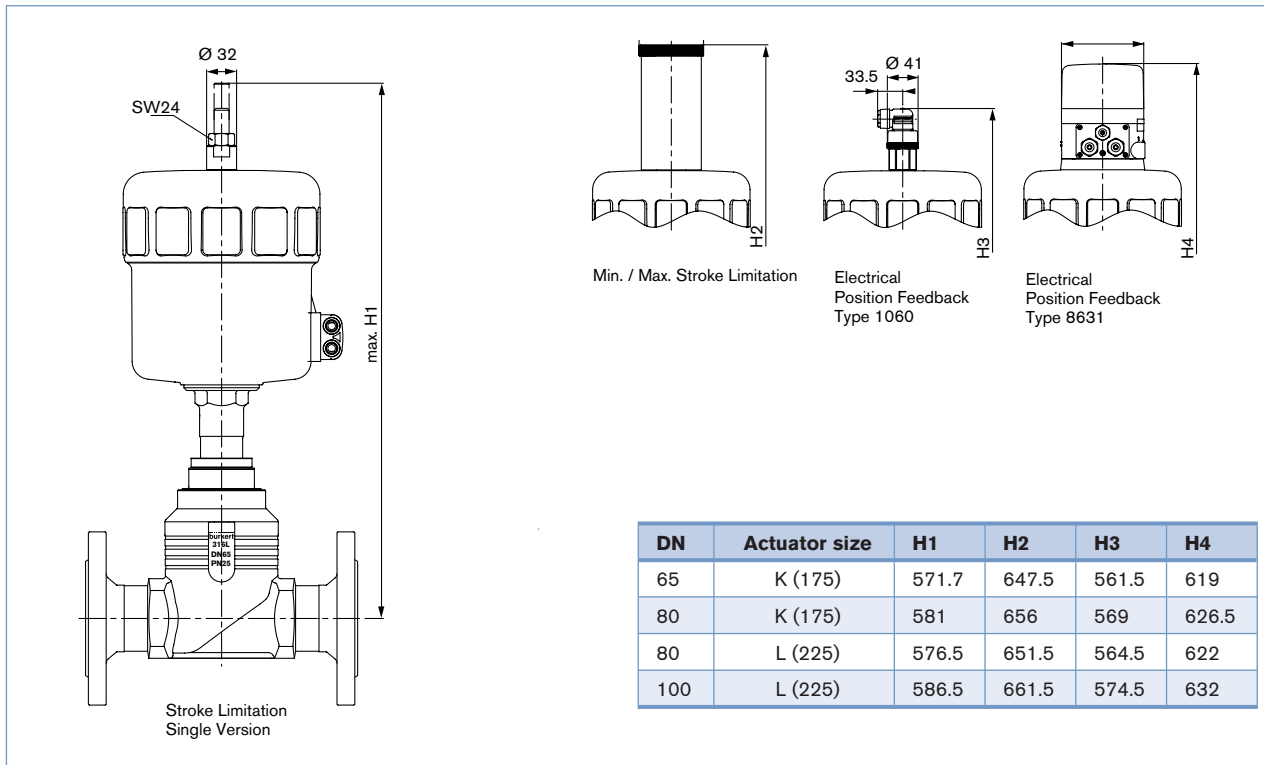
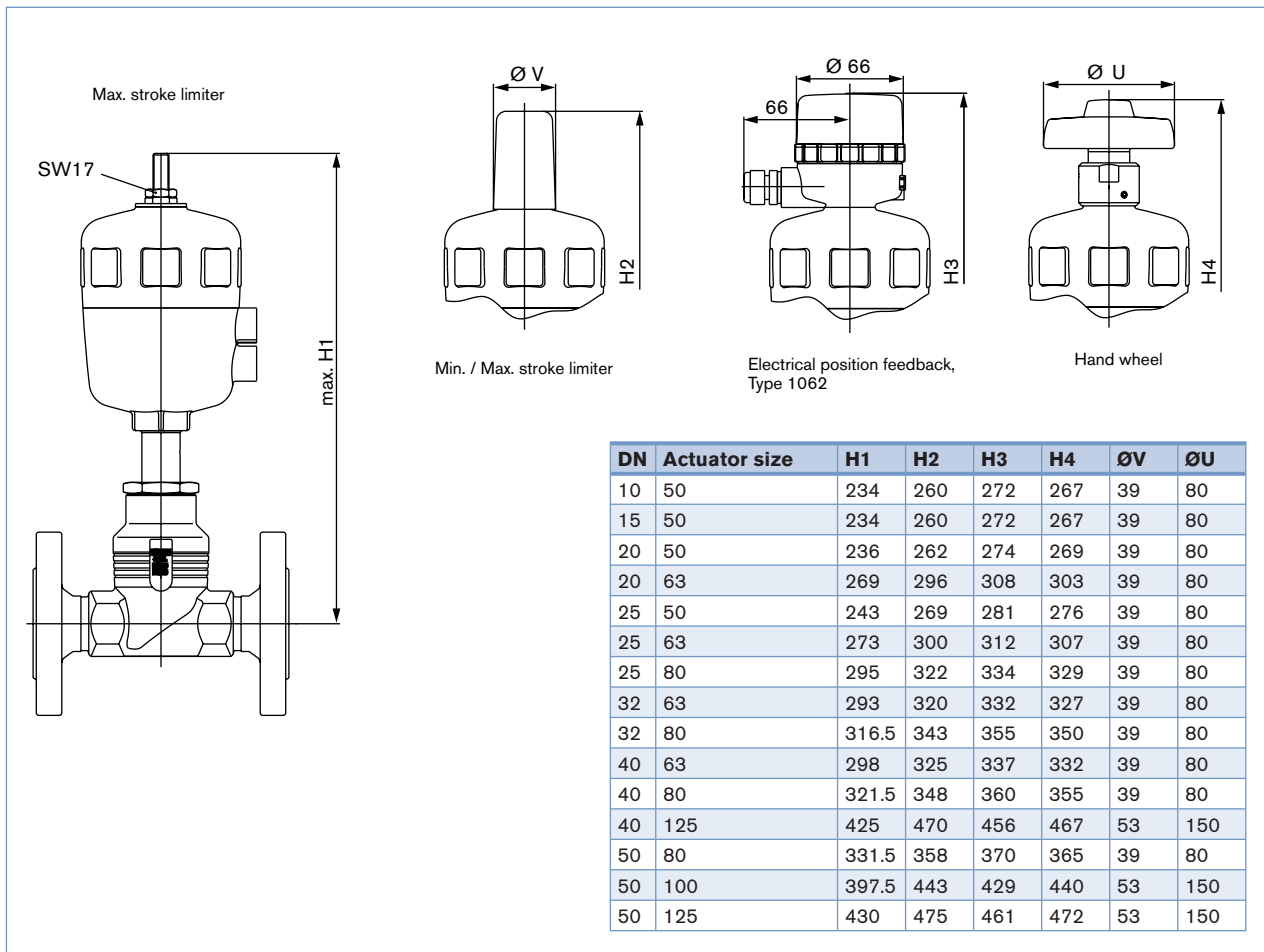


Actuator size	A	B	E	H	K
40	70	84	SW30	65	80
50, 63, 80	44	58.5	SW32	47	62
100, 125	44	58.5	SW41	47	62

Dimensions for Type 2000 (continued)

All bodies						All weld end bodies				Weld end bodies acc. to EN ISO 1127/ISO 4200			Weld end bodies acc. to DIN11850 Series 2			Threaded body						
DN	Actuator size Ø	Ø E	F	P	J	B	H	A	G	K	Ø D	S	K	Ø D	S	B	H	A	C	Ø D	G	SW
13	40	53	33	G 1/8	16.5	-	-	-	-	-	-	-	-	-	-	137	113	65	12	G 3/8	24	27
13	40	53	33	G 1/8	16.5	-	-	-	-	-	-	-	-	-	-	146	115	85	14	G 1/2	31	27
	50	64	44	G 1/4	24	-	-	-	-	-	-	-	-	-	-	170	140	-	-	-	-	-
	63	80	52	G 1/4	24	-	-	-	-	-	-	-	-	-	-	203	172	-	-	-	-	-
	80	101	60	G 1/4	24	-	-	-	-	-	-	-	-	-	-	224	193	-	-	-	-	-
15	40	53	33	G 1/8	16.5	148	114	100	34	20	21.3	1.6	20	19	1.5	-	-	-	-	-	-	-
	50	64	44	G 1/4	24	174	137	-	-	-	-	-	-	-	-	-	-	-	-	-	-	-
	63	80	52	G 1/4	24	-	-	-	-	-	-	-	-	-	-	-	-	-	-	-	-	-
	80	101	60	G 1/4	24	-	-	-	-	-	-	-	-	-	-	-	-	-	-	-	-	-
20	40	53	33	G 1/8	16.5	158	119	115	39	25	26.9	1.6	25	23	1.5	155	120	95	16	G 3/4	35	32
	50	64	44	G 1/4	24	181	145	-	-	-	-	-	-	-	-	179	144	-	-	-	-	-
	63	80	52	G 1/4	24	209	170	-	-	-	-	-	-	-	-	206	171	-	-	-	-	-
	80	101	60	G 1/4	24	-	-	-	-	-	-	-	-	-	-	225	190	-	-	-	-	-
25	40	53	33	G 1/8	16.5	-	-	-	-	-	-	-	-	-	-	160	126	105	18	G 1	35.5	41
	50	64	44	G 1/4	24	191	148	130	43	30	33.7	2	30	29	1.5	188	152	-	-	-	-	-
	63	80	52	G 1/4	24	217	173	-	-	-	-	-	-	-	-	213	177	-	-	-	-	-
	80	101	60	G 1/4	24	238	195	-	-	-	-	-	-	-	-	234	198	-	-	-	-	-
32	63	80	52	G 1/4	24	230	186	145	45	30	42.4	2	30	35	1.5	224	183	120	20	G 1 1/4	41	50
	80	101	60	G 1/4	24	259	210	-	-	-	-	-	-	-	-	246	205	-	-	-	-	-
	100	127	73	G 1/4	30	301	256	-	-	-	-	-	-	-	-	296	255	-	-	-	-	-
40	63	80	52	G 1/4	24	238	189	160	49	30	48.3	2	30	41	1.5	227.3	188	130	22	G 1 1/2	40	55
	80	101	60	G 1/4	24	258	213	-	-	-	-	-	-	-	-	249	209	-	-	-	-	-
	100	127	73	G 1/4	30	309	260	-	-	-	-	-	-	-	-	299.3	260	-	-	-	-	-
	125	158	86	G 1/4	30	337	288	-	-	-	-	-	-	-	-	329	289	-	-	-	-	-
50	63	80	52	G 1/4	24	255	205	175	50	30	60.3	2.6	30	53	1.5	249	204	150	24	G 2	45	70
	80	101	60	G 1/4	24	275	225	-	-	-	-	-	-	-	-	270	225	-	-	-	-	-
	100	127	73	G 1/4	30	327	271	-	-	-	-	-	-	-	-	317	272	-	-	-	-	-
	125	158	86	G 1/4	30	351	301	-	-	-	-	-	-	-	-	347	302	-	-	-	-	-
65	63	80	52	G 1/4	24	271	221	210	50	26	76.1	2.3	26	70	2.0	275	218	185	26	G 2 1/2	57	85
	80	101	60	G 1/4	24	292	242	-	-	-	-	-	-	-	-	296	239	-	-	-	-	-
	100	127	73	G 1/4	30	340	290	-	-	-	-	-	-	-	-	344	287	-	-	-	-	-
	125	158	86	G 1/4	30	370	320	-	-	-	-	-	-	-	-	374	317	-	-	-	-	-

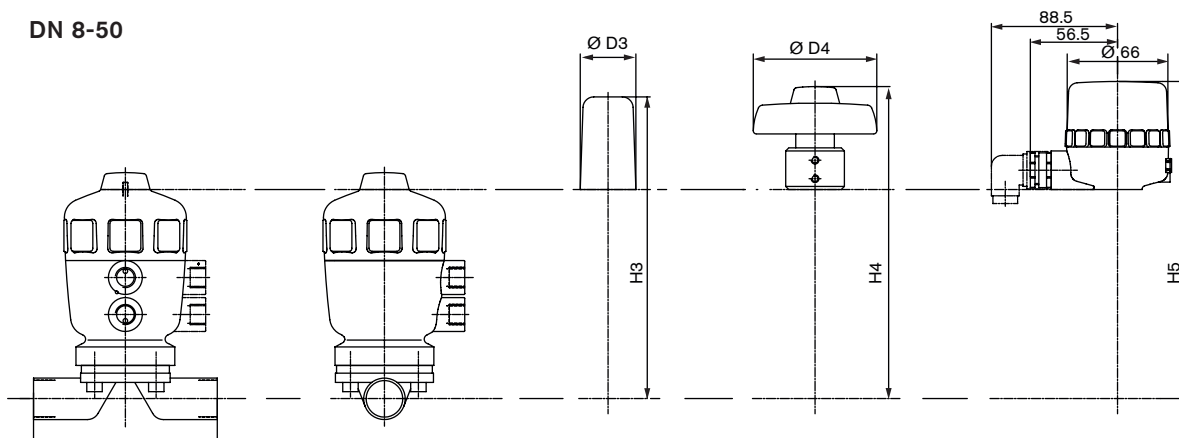
Dimensions for Type 2012



DTS 1000102756 EN Version: C Status: RL (released | freigegeben | validé) printed: 20.03.2008

Dimensions for Type 2030

DN 8-50



Standard version
body with weld end

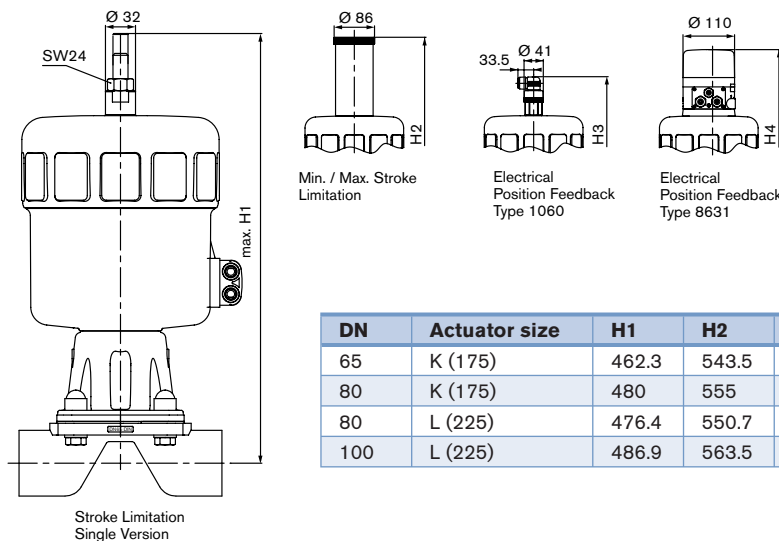
Options: Stroke limiter

Manual override

Electrical position feedback,
Type 1062

DN	Act. size (Ø)	ØD3	ØD4	H3	H4	H5
8	C (40)					
15	D (50)	39	80	172	178	181
15	E (63)	39	80	189	195	198
20	E (63)	39	80	198	204	207
20	F (80)	39	80	224	230	233
25	E (63)	39	80	207	213	216
25	F (80)	39	80	227	233	236
32	G (100)	53	150	303	300	286
40	G (100)	53	150	308	305	291
40	H (125)	53	150	347	344	330
50	G (100)	53	150	317	314	300
50	H (125)	53	150	351	348	334

DN 65-100



DN	Actuator size	H1	H2	H3	H4
65	K (175)	462.3	543.5	457.6	514.1
80	K (175)	480	555	468	525.5
80	L (225)	476.4	550.7	463.7	521.2
100	L (225)	486.9	563.5	476.5	534

Stroke Limitation
Single Version

For valve dimensions please see separate Datasheets

To find your nearest Bürkert facility, click on the orange box →

www.burkert.com

In case of special application conditions, please consult for advice. We reserve the right to make technical changes without notice. © Christian Bürkert GmbH & Co. KG 0803/5_EU-en_00895045

DTS 1000102756 EN Version: C Status: RL (released | freigegeben | valide) printed: 20.03.2008