



# POSU 擺動式飛速型鋁合金接頭


## SWINGABLE ALUMINUM ALLOY BRASS COMPRESSION FITTINGS

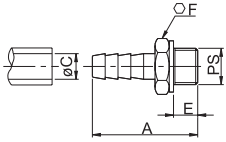


### 特點

- 擺動式接頭，可搭配二孔至六孔使用。
- 螺牙處可為入氣源，管徑大小不同，可使用在同一螺栓上，從一層至三層任其使用。


### 規格表

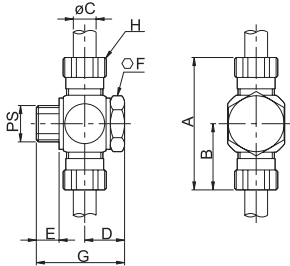
N	型號	A	øC	E	øF	PS
	N-4-M5	16	4	3.5	8	M5
	N-6-M5	18.5	6	4	8	M5
	N-9-1/8"	33.5	9	6.5	14	1/8"
	N-9-1/4"	37	9	8.5	17	1/4"
	N-9-3/8"	38.5	9	9.5	19	1/4"




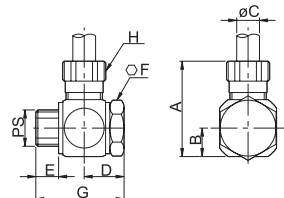
CK	型號	A	B	øC	D	E	PS
	CK-4-M5	4	14	4	8	8	M5
	CK-6-M5	4	14	6	9	8	M5
	CK-4-1/8"	5.5	23.5	4	8	14	1/8"
	CK-6-1/8"	5.5	26.5	6	14	14	1/8"
	CK-8-1/8"	5.5	26.5	8	14	14	1/8"
	CK-6-1/4"	8.5	20.5	6	14	17	1/4"
	CK-8-1/4"	8.5	20.5	8	14	17	1/4"
	CK-6-3/8"	9.5	21	6	14	19	3/8"
CK-8-3/8"	9.5	21	8	14	19	3/8"	




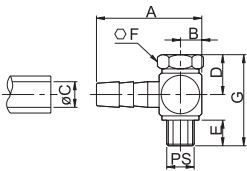
TCK(VT+TK)	型號	A	B	øC	D	E	G	øF	H	PS
	TCK-4-1/8"	34	17	4	14	6	29	14	8	1/8"
	TCK-6-1/8"	43	21.5	6	14	6	29	14	14	1/8"
	TCK-8-1/8"	41	20.5	4	14	6	29	14	14	1/8"
	TCK-6-1/4"	46	23	6	14	6	31	17	14	1/4"
	TCK-8-1/4"	46	23	8	14	6	31	17	14	1/4"




LCK(VT+LK)	型號	A	B	øC	D	E	G	øF	H	PS
	LCK-4-M5	20	4.5	4	9	3.5	18	8	8	M5
	LCK-6-M5	20	4.5	6	9	3.3	18	8	9	M5
	LCK-4-1/8"	25	7.5	4	14	6	29	14	8	1/8"
	LCK-6-1/8"	28	7.5	6	14	6	29	14	14	1/8"
	LCK-8-1/8"	28	7.5	8	14	6	29	14	14	1/8"
	LCK-6-1/4"	33.5	10	6	14	8	31	17	14	1/4"
	LCK-8-1/4"	33.5	10	8	14	8	31	17	14	1/4"



TCK(VT+TK)	型號	A	B	øC	D	E	G	øF	PS
	LN-9-1/8"	37	7.5	9	14	6	29	14	1/8"
	LN-9-1/4"	42.5	10	9	14	8	31	17	1/4"



RTU	型號	øA	B	øC	øD	øE	øF
	RTU3x4	20	6	2.5	4	4	6
	RTU3x5	20.5	8	2.5	4	5	8
	RTU3x6	20.5	8	2.5	4	6	8
	RTU4x5	22	8	4	6	5	8
	RTU4x6	22.5	8	4	6	6	8
	RTU4x6.5	22	10	4	6	6.5	10

